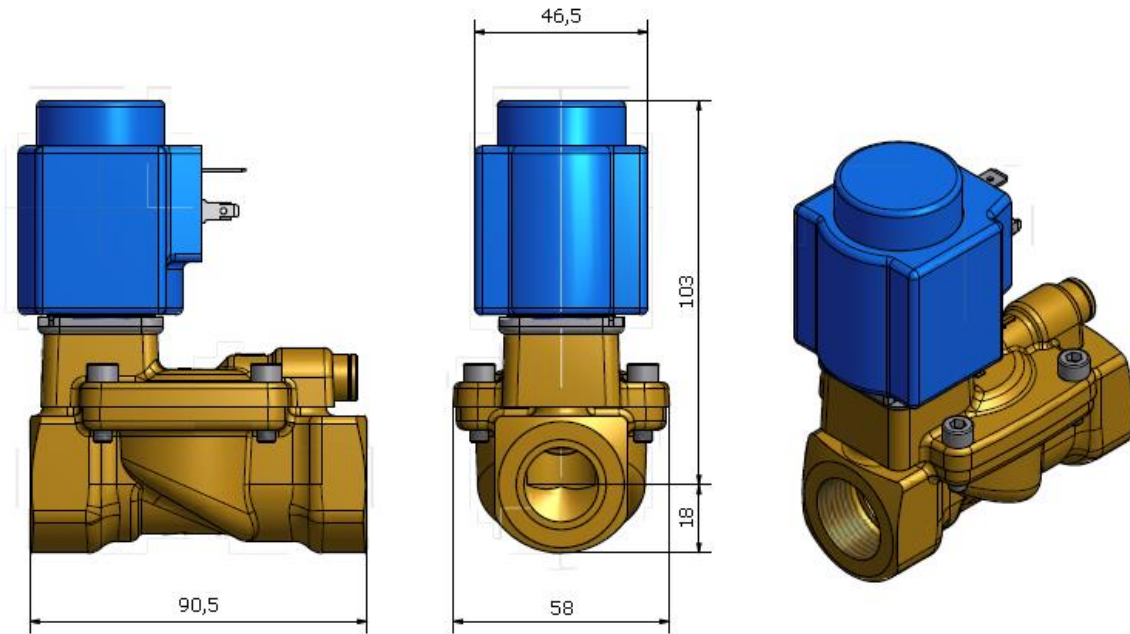


Valve type: EV220B 20BD G 34E NO000 BB230AS
 Danfoss code number: 032U817031



Technical data

<u>Valve:</u>	Valve type Connections Function Max. medium temperature Min. medium temperature Kv-value Max. opening differential pressure Min. opening differential pressure Material: Body + Equalizing orifice Valve plate/O-rings Diaphragm Internal parts	EV220B 20BD G 34E NO000 G 3/4" NO (Normally Open) +120 °C -30 °C 8 m ³ /h 16 bar 0.3 bar DZR Brass (CuZn36Pb2As/CZ132) EPDM EPDM Stainless steel
<u>Coil:</u>	Coil type Supply voltage [V] d.c. Power consumption [W] Enclosure rating Max. ambient temperature	BB230AS 230 VAC 10 W / 21 VA IP00 +80 °C

