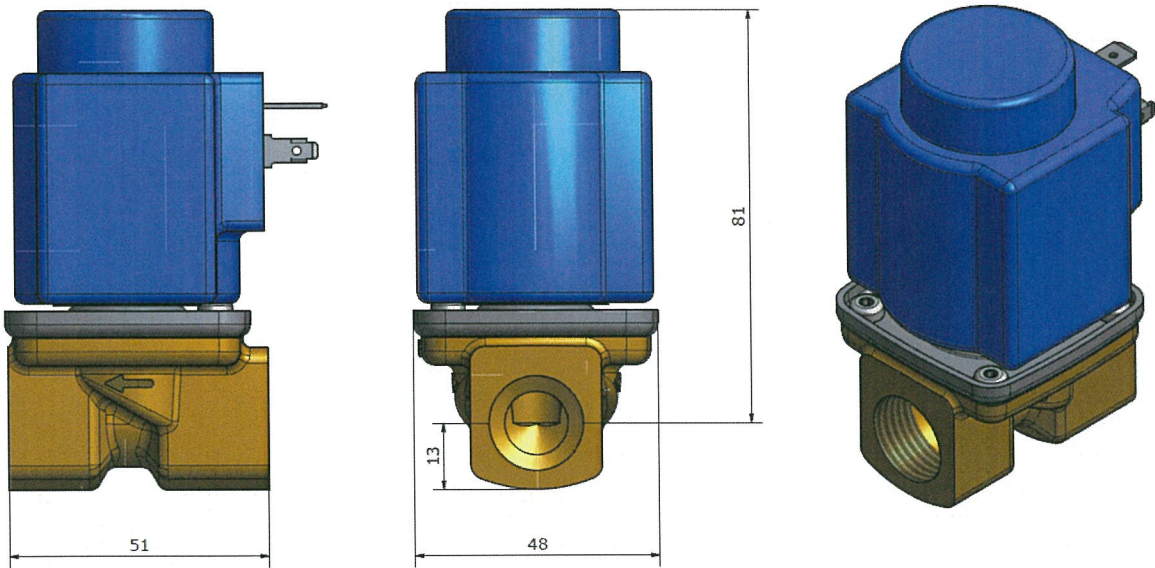


Valve type: EV220B 10BD G 12E NO000 BB230AS  
 Danfoss code number: 032U471131



**Technical data**

<u>Valve:</u>	Valve type Connections Function Max. medium temperature Min. medium temperature Kv-value Max. opening differential pressure Min. opening differential pressure Material: Body Valve plate / O-ring Diaphragm Internal parts	EV220B 10BD G 12E NO000 G 1/2" NO (Normally Open) +100 °C 0°C 1.5 m <sup>3</sup> /h 10 bar 0.1 bar DZR Brass (CuZn36Pb2As/CZ132) EPDM EPDM Stainless steel, copper
<u>Coil:</u>	Coil type Supply voltage [V] d.c. Power consumption [W] Enclosure rating Max. ambient temperature	BB230AS 230 VAC 10 W / 21 VA IP00 +80 °C

